

Gliderol Broadline®

Gliderol Continuous Sheet Curtain Roller Door



Uncompromised in design and style

In terms of technical excellence and superior design the Broadline® roller door is unsurpassed in the building industry. The Broadline® undoubtedly adds style and character to any home, the roller door can be made to suit most garage openings enhancing the overall appeal of any structure.

Forefront in technology world wide

Gliderol Garage Doors is a wholly owned Australian manufacturing company, with over fifteen international licensees world wide. The Broadline® roller door through years of research and development has evolved into a product demanding world wide attention. Computer assisted technology has enabled Gliderol to develop its manufacturing processes to produce an award winning garage door that is cost effective, strong, durable and safe. The Gliderol philosophy - to provide quality and service in the highest possible way at all times to the customer.

Quality and Safety that can be relied on

The Broadline® roller door gives you strength and safety as priorities at all times. The strength gained from the unique broadline profile and aluminium bottom rail is unrivalled. As a home owner you must take into account the security of your home, with the Broadline® your security is guaranteed for many years to come. A Broadline® roller door will always remain a very safe garage door for you to operate throughout its life-span. The unique spring assisted spindle assembly will provide you with a roller door that is always easy to open and close giving reliable performance at all times.

Opening doors around the world®

Manufactured by
Gliderol Garage Doors NZ

A Division of Gliderol
International Pty Ltd
GST Reg 94 953 847

A New Zealand
Manufacturing Company

12 Cape Hill Road
Pukekohe South
Auckland

Telephone 09 835 0211
Facsimile 09 237 0440

Email sales@gliderol.co.nz
Website www.gliderol.co.nz

Gliderol Broadline®

Gliderol Continuous Sheet Curtain Roller Door

Features

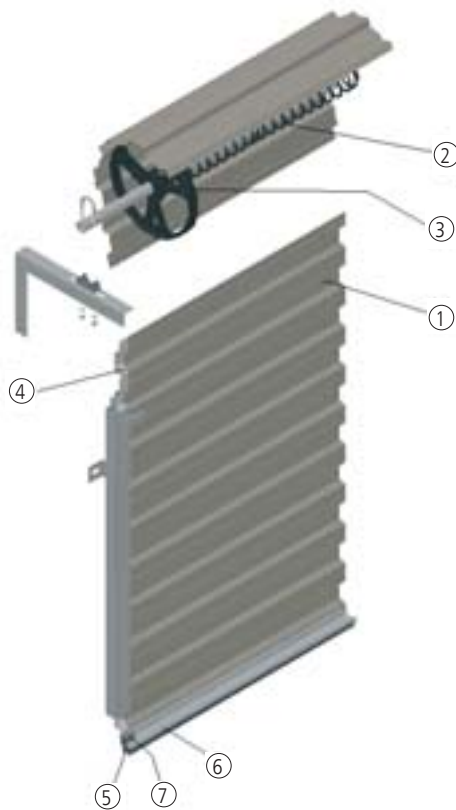
1. Roller Door Curtain Gliderol rollformed steel sheet panels. Weather resistant and durable, these panels are able to withstand the harshest of New Zealand conditions. The curtain provides strength and quality in design to enhance overall appearance of the Broadline® roller door.

2. Spring Assistance The Broadline® roller door with its spring assisted mechanism offers precise balance enabling the user effortless operation. A fine balance between the weight of the curtain and the upward pull of the springs is maintained regardless of the position of your door.



Above:

Available in over 16 colours and up to widths of 5.5 metres.



3. Drum Wheel Gliderol was the first to employ the use of engineering plastics in the manufacture of the drum wheel. This nylon drum wheel has been developed over time into a hardwearing high performance component.

4. Polyglide™ Revolutionary new material developed by Gliderol Doors specifically for Roller Door operation. Allows effortless operation, with minimal noise and friction. Polyglide™ was tested for 22000 cycles continuous use, the equivalent of more than 20 years service based on three cycles a day.

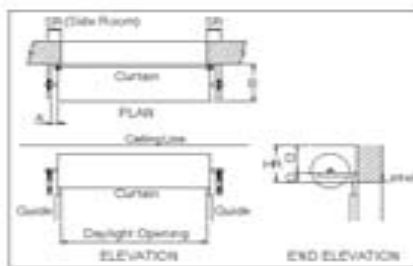
5. Weatherseal Durable weatherseal prevents any undesirable material entering your garage from the outside when the Broadline® roller door is closed.

6. Bottom Rail Aluminium in construction this bottom rail has specifically been designed to reinforce your Broadline® roller door against intruder penetration.

7. Door Stop/Roller Designed specially to reduce friction and assist in ease of operation when opening and closing your Broadline® roller door.

Centre Lift Lock Unobtrusive in design this lock doubles as a handle, situated at waist height to give you optimum leverage when operating your Broadline® roller door. This lock can easily be operated from inside or outside your Roller Door.

Optional Windlocking Secure your Broadline® roller door against prevailing winds. Windlock Clips fixed to the Roller Door curtain secure the door in the guide and ensure strength and security at all times. (Cyclone rated. Certified AS1170-2).



DIMENSION PANEL (Minimum 329x) mm						
DOOR HEIGHTS (Head Clearance)	SR	HR	A	B	C	D
2100 HIGH	125	430	25-100	900	190	290
2400 HIGH	125	450	25-100	940	190	290
2700 HIGH	125	450	25-100	940	190	290
3000 HIGH	125	470	25-100	980	170	300
STANDARD CURTAIN WIDTHS						
Residential Series	1850, 2000, 2800, 3100, 3450, 3800, 3900, 4270, 5100, 5800					
CURTAIN WIDTHS						
Residential Series	Daylight Opening Plus 100mm					
Windlock Series	Daylight Opening Plus 80mm					



Gliderol Guarantee

All new Broadline® roller door, come with the 12 month Gliderol guarantee on all finished materials, parts and workmanship. On the Steel Curtain you also receive the manufacturers warranty on all painted steel.

Complete warranty details will be clearly outlined at point of sale.



GLIDEROL®
GARAGE DOORS NZ

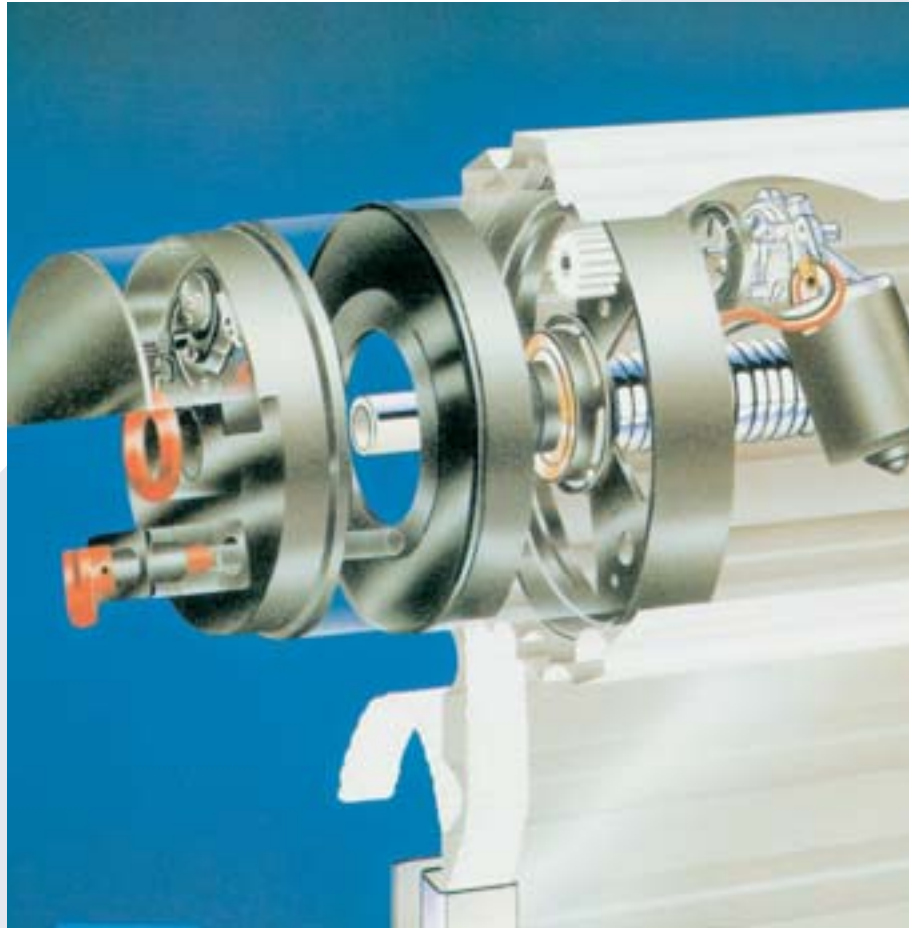
A Division of Gliderol International Pty Ltd

A New Zealand Manufacturing Company



Glidermatic GRD

Remote Control Operator



Glidermatic GRD™ - Patented World Wide

The Glidermatic GRD™ operator patented world wide by Gliderol Garage Doors is completely Australian in design. This quiet, smooth and reliable operator can be found in over fifteen countries world wide. Comprising the most up-to-the-minute technology the Glidermatic GRD™ operator is a must for any home.

Convenience, Safety and Security

Home owners world wide are increasingly becoming aware that a Glidermatic GRD™ Roller Door operator is something that you cannot do without. This operator when installed on a Roller Door will provide you with convenience you can rely on at the press of a button with your Glide-a-Code® handset. Gone are the days of getting out of your car at night or in the rain, the Glidermatic GRD™ operator with its numerous safety and security features will see to this.

Value for Money

The Glidermatic GRD™ includes everything to convert a Roller Door to automatic remote control. A powerful motor and drive unit with a manual or automatic operation selector, a Glide-a-Code® radio transmitter handset to operate your door from inside the car and a wall control mounted inside the garage containing a radio receiver, sophisticated electronics, an automatic light and a push button control for door operation inside the garage.

Remote Control New or Existing

The Glidermatic GRD™ can be supplied as a complete automatic door or as a separate operator which converts existing manual Roller Doors to automatic remote control. Installation to an existing Roller Door is quick and easily done in a matter of minutes.

Manufactured by
Gliderol Garage Doors NZ

A Division of Gliderol
International Pty Ltd
GST Reg 94 953 847

A New Zealand
Manufacturing Company

12 Cape Hill Road
Pukekohe South Auckland

Telephone 09 835 0211
Facsimile 09 237 0440

Email sales@gliderol.co.nz
Website www.gliderol.co.nz

Glidermatic GRD™

Remote Control Operator



Quality and Design

Glidermatic GRD™ is the only Australian operator to qualify under the stringent underwriters laboratory standard for use on the USA market. Each Glidermatic® operator is manufactured to exacting quality standards and to an Award Winning Australian design. Quiet operation and reliability are only two of the many beneficial qualities proven with thousands of units operating in Australia and overseas.

Glidermatic GRD™ Advantages

Drive Unit Totally housed within the door roll, the drive unit does not extend past the width of the door. If your Roller Door has limited side room on either side of the Roller Door, the Glidermatic GRD™ is the only operator in Australia to suit your situation.

Low Maintenance Glidermatic GRD™ uses a hardwearing nylon gear mechanism which will ensure long life with limited maintenance and no lubrication required.

Quiet Operation As the drive unit is housed entirely within the door roll, noise emissions are substantially reduced, resulting in quiet and smoother performance.

Simple Push Button Either by hand held Glide-a-Code® transmitter or wall mounted push button. The unique rolling code circuitry ensures fail-safe security and eliminates the risk of another handset using the same code.

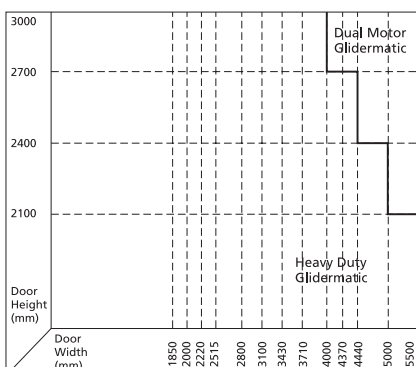
Able to be fitted to most brands of Roller Door easily and effectively.

Requirements

The Glidermatic GRD™ is available in two models for residential Roller Doors, depending on size of door Glidermatic GRD™: Heavy Duty, Dual.

Side room No additional side room is required as the Glidermatic GRD™ is designed to recess entirely within the door roll. Wherever a Roller Door is fitted correctly a Glidermatic GRD™ can be fitted.

GLIDERMATIC® SIZES



The Company reserves the right to make changes or improvements to the products or accessories without notice and without incurring any obligation to make similar changes or improvements to goods previously ordered.

Glidermatic GRD™ Features

Safety Reversing The drive unit automatically reverses should the downward movement of the door be restricted.

Security Coded The Glide-a-Code® transmitter, uses a UHF radio frequency that after each transmission the handset and control box roll to a new window within a combination range of over 2 billion codes. The Glide-a-Code® handset is one of the most secure in the world market and will ensure you that your Glidermatic GRD™ operator will not be activated by another transmitter. Minuscule in size the Glide-a-Code® handset can operate up to three remote Roller Doors and fits neatly onto a keyring.

Low Voltage The wall mounted control box is fully insulated and approved. The operative voltage is a safe low 24 volts (A 3 pin 240V power point is required).

Manual Conversion In the event of power failure, simply moving one switch allows you to use the door manually.

Automatic Light Illuminates your garage for up to 90 seconds after the Glidermatic GRD™ is activated. Enables you to drive into an illuminated garage at night.



Control Box and Push Button

The door can easily be operated using the button on the wall mounted control box.

Optional Extras

Additional Transmitters Extra transmitters are readily available on request. You can use up to ten additional transmitters on each Glidermatic GRD™ unit.

Dual Over-ride Strongly recommended when alternative access to garage is not available. Used to key operate your Glidermatic GRD™ operator or engage manual operation in case of power failure.

Intruder Alarm A local safety alarm can be fitted alongside the control box and will sound continuously whilst door is in travel.

Back Up Power A wall mounted Uninterruptible Power Supply (UPS) will allow you to operate your door in the case of a power failure.

Weather-proof Control Box Cover Cover that will protect your Control Box from the elements, (rain, sun etc), if alternative cover is not available.

Glidermatic GRD™ Guarantee

Each newly installed or retrofitted Glidermatic GRD™ is guaranteed with the Gliderol exclusive 1/6 warranty which provides you with a 1 year warranty on all electrical components and mechanical parts. A 6 year warranty on the drive unit and motor (parts only).

Authorised Distributor

Australian Offices International Manufacturers and Licensees

New Zealand

Gliderol Garage Doors NZ
12 Cape Hill Road
Pukekohe South Auckland
Telephone: 09 835 0211
Facsimile: 09 237 0440

South Island

261 Annex Road
Christchurch
Telephone: 03 341 0913
Facsimile : 03 341 6985

Head Office

South Australia
Gliderol Garage Doors
32 Jacobsen Crescent
Holden Hill SA 5088
Telephone: (08) 8261 9633
Facsimile: (08) 8266 4712

Southern Office

1 Bredbo St,
Lonsdale South Australia 5160
Telephone: (08) 8186 4040
Facsimile: (08) 8266 4712

New South Wales

Manufacturing Complex
45 Sammut Street
Smithfield NSW 2164
Telephone: (02) 9725 1033
Facsimile: (02) 9725 1115

Sales Office & Showroom
3a Alexander Street
Auburn NSW 2144
Telephone: (02) 9644 6533
Facsimile: (02) 9644 6544

Newcastle

Unit 2-87 Glenwood Drive
Thronton NSW 2322
Telephone: (02) 4966 8500
Facsimile: (02) 4966 8511

Wollongong

Unit 2-1 Luso Drive
Unanderra NSW 2526
Telephone: (02) 4272 3220
Facsimile: (02) 4272 3084

Queensland

45 Harvey Street
Eagle Farm QLD 4009
Telephone: (07) 3868 2766
Facsimile: (07) 3868 2760

Victoria

23 Kitchen Road
Dandenong VIC 3175
Telephone: (03) 9793 5455
Facsimile: (03) 9706 8492

Western Australia

Perth
21 Prindville Drive
Wangara WA 6065
Telephone: (08) 9409 3000
Facsimile: (08) 9409 3200

Bunbury

Unit 4, 31 Denning Road
Bunbury, WA, 6230
Telephone: (08) 9721 7600
Facsimile: (08) 9721 7600

Tasmania

Gliderol Garage Doors Pty Ltd
C/o 23 Kitchen Road
Dandenong VIC 3175
Telephone: (03) 9793 5455
Facsimile: (03) 9706 8492

United Kingdom

Gliderol Roller Doors Ltd
Davy Drive
North West Industrial Estate
Peterlee, County Durham SR8 2JF, UK
Telephone: +44 191 518 0455
Facsimile: +44 191 518 0548

Singapore

Gliderol Doors (S) Pte Ltd
No 86 International Road
Singapore 629176
Telephone: 65 266 6668
Facsimile: 65 266 6866

United States

Gliderol International
Jim Pace
2317 Ridgewood Drive
Plano, Texas 75074
Telephone: 1 972 423 9075
Facsimile: 1 972 423 8735
Email Jamespace@excite.com

Saudi Arabia

Al-Moosa Garage Doors
Al Hassa, Dhahran Street
PO Box 10070 Pin Code 31982
Telephone: (03) 966 3 587 3660
Facsimile: (03) 966 3 587 8050

Bahrain

Abbas Bijeek & Sons
PO Box 308
Manama, Bahrain
Telephone: +973 17 401 555
Facsimile: +973 401 333

United Arab Emirates

ADESCO
PO Box 43217, Abu Dhabi
United Arab Emirates
Telephone: 9712-393 915
Facsimile: 9712-393 965

Al Adani & Partners

Electronic Doors
PO Box 1510
Doha, Qatar
Telephone: 974 4884 340
Facsimile: 974 4884 336

India

Indo-Germa Products Ltd
No 14 Pattulou Road
Chennai 600 002
India
Telephone: +91 44 2 852 0075
Facsimile: +91 44 2 852 0047

Thailand

Gliderol Doors (Thai) Co. Ltd
24/32 Moo 6, Bangna-Trad Road,
Bangsoonthong, Smitprakarn 10540
Thailand
Telephone: (662) 740 02313
Facsimile: (662) 740 0235



GLIDEROL®
GARAGE DOORS NZ

A Division of Gliderol
International Pty Ltd

A New Zealand
Manufacturing Company